

## MET 1-PHASE CONTROL AND ISOLATION TRANSFORMER

P: 500VA IN: 230VAC+/- 5% OUT: 230VAC

Single-phase - Control and Isolation Transformers  
500 VA  
Isolation class T 60/B

### [Link to Product](#)

#### Illustration



Product may differ from Image

#### Approvals



#### Input

Input voltage	230 V AC $\pm 5\%$
Frequency	50...60 Hz
Short-circuit current	75.1 A (230 V AC)
Input current	2.3 A (230 V AC)
Inrush current	35.2 A (230 V AC)

#### Output

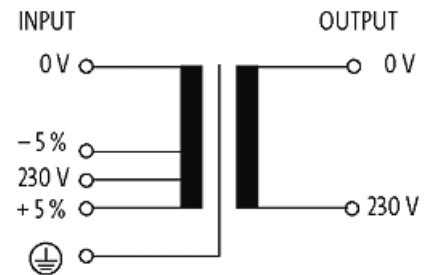
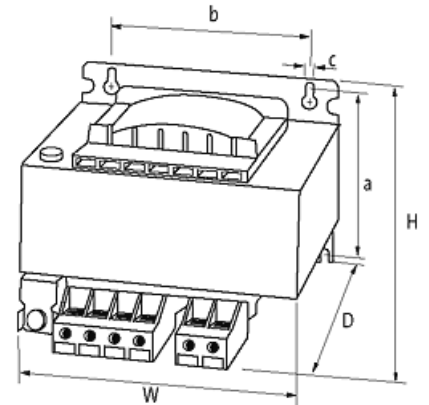
Output voltage	230 V AC
Output rating	500 VA

#### General data

Standards	EN 61558-1, EN 61558-2-4, EN 62041 category 0
Test isolation voltage	4 kV (prim./sec.)
Mounting method	Key-hole mounting
Dimensions H×W×D	112.6×150×146 mm
Fixing centers a×b×c	90×122×7 mm
Drill hole $\varnothing$	7×11 mm
Temperature range	-20...+60 °C (storage temperature -40...+80 °C)

#### Commercial data

country of origin	CZ
customs tariff number	85043180
EAN	4048879079051
eClass	27031302
Packaging unit	1

**Sketch**

Product may differ from Image